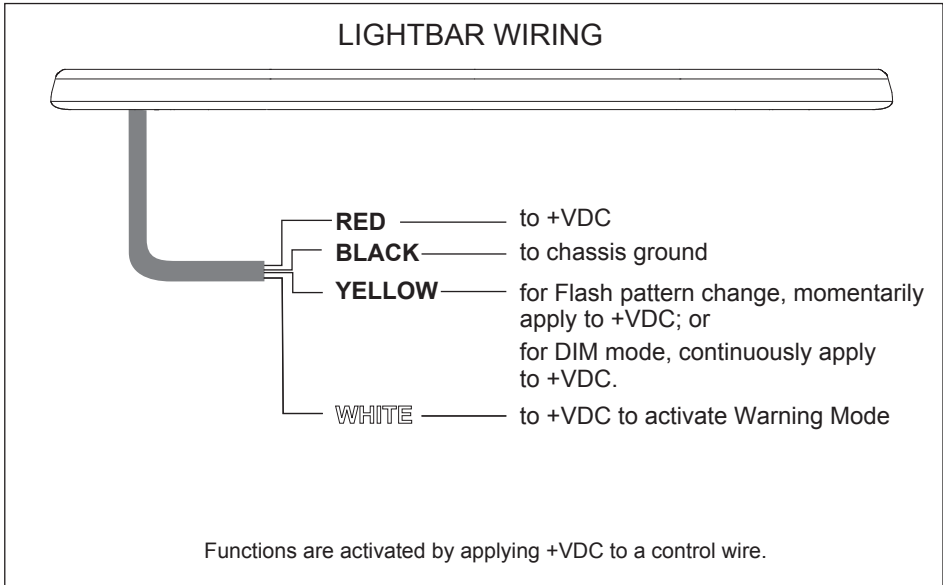


WIRING & FUNCTIONS (A7)

Different applications require different functions. It is highly recommended to determine and configure the required functions prior to Installation; (refer to 'CONTROL WIRES' section).



POWER WIRES

1. Route Power Cable to the vehicle firewall towards the battery.
2. Follow factory wiring harness through the firewall. It may be necessary to drill a hole in the firewall. Ensure that there are no components that could be damaged from the drilling.
3. Route the cable to the battery.
4. Install a fuse (user-supplied) on the end of **RED** wire, then connect to battery.
5. Connect **BLACK** wire to the factory chassis ground adjacent to the battery.

NOTE: make sure that all wires of power cable are securely connected to power source.

Lightbar length	Suggested fuse	
	12VDC	24VDC
43"	10A	7.5A
49"	15A	7.5A
54"	15A	7.5A
60"	16A	7.5A

CONTROL WIRES

1. Route Control wires towards the dash area to a switch panel (user-supplied).
2. Connect the required wires to the switch panel.

WARNING MODE

Activate Warning Mode by applying **+VDC** to **WHITE** wire. There is a list of built-in flash patterns to choose from. While in Warning Mode, tap **+VDC** to **YELLOW** wire:

- Once for next pattern.
- Quickly 3 times for FP#1.

FP#	FLASH PATTERN		
1	Kit Scan (split)	14	Single H/L (split)
2	Outside-In Single	15	Single (all)
3	Outside-In Ultra	16	Double (all)
4	Side-by-Side Single	17	Quad (all)
5	Side-by-Side Ultra	18	Quint (all)
6	Random	19	Mega (all)
7	Single (split)	20	Ultra (all)
8	Double (split)	21	Single-Quad (all)
9	Quad (split)	22	Single H/L (all)
10	Quint (split)	23	Single Cross
11	Mega (split)	24	Ultra Cross
12	Ultra (split)	25	Rotator1
13	Single-Quad (split)	26	Rotator2

DIM MODE

If desired, the bar can be switched to DIM Mode. While Warning Mode is activated, apply **+VDC** to **YELLOW** wire continuously to switch to DIM Mode. Simply remove **+VDC** from **YELLOW** wire to de-activate.